

METRAFLEX SEISMIC BREAKAWAY HANGER OPERATION, INSTALLATION, AND MAINTENANCE INSTRUCTIONS

General: The purpose of the Metraflex Seismic BreakAway Hanger is to support the flexible element of a seismic joint such as the Metraloop. During a seismic event, the Seismic BreakAway Hanger will break free allowing the seismic joint to freely move in its complete range of motion. After the seismic event, the Metraflex Seismic BreakAway Hanger can be simply reassembled.

Application: Each Metraflex Seismic BreakAway Hanger is factory set for a specific load and will be matched to a specific Metraloop or other seismic joint. The Metraflex Seismic BreakAway Hanger is installed in the hanger rod of the seismic joint. For the Metraloop product this will be located at the 180° return fitting. For Dog Leg products this will be at the 90° elbow. For large movement units, Seismic BreakAway Hangers may be required to support the flexible hose, see figure 4 and 4A.

Tethers: Tethers are used to prevent the seismic joint from over flexing and are included on all Seismic BreakAway Hangers.

Installation:

1. The Metraflex Seismic BreakAway Hanger should be installed as close to the seismic joint as possible. See figure 1.
2. Insure that the correct size Hanger has been selected for installation by reviewing the submittal.
3. The swivel eye bolt should be installed in the top position attached to rod or cable that complies with the contract documents. See figure 1 and 2.
4. A male thread is provided for connection to the seismic joint. See figure 1 and 2.
5. Apply the no step stickers provided with the Hanger to the pipe / insulation cover.

Caution:

1. When lifting from the flexible hose, never point load the hose during the installation process, always use a saddle. The hose consists of corrugated stainless steel hose and can be damaged.
2. The Seismic BreakAway Hanger is designed for a specific load based on the size and configuration of the seismic joint. People walking on the seismic joint or other outside loads on the devise can result in premature breaking of the coupling and should be avoided. No Step warning stickers have been provided with the Seismic BreakAway Hanger for larger pipe sizes.
3. When installing a seismic joint with multiple Seismic BreakAway Hangers, evenly lift the seismic device into place. Do not over flex the hose.

Testing:

Each Seismic BreakAway Hanger is factory tested prior to shipment. No field testing is necessary.

Maintenance:

The Metraflex Seismic BreakAway Hanger does not require maintenance and there are no serviceable parts. If the Hanger is ever pulled apart, for any reason, simply insert the pin back into the Hanger until it is bottomed out. For Hangers designed to support larger seismic connections a "C-clamp" may be required to push the pin for reassembly.

	2323 W. HUBBARD ST. CHICAGO, IL 60612 TEL: 312-738-3800 FAX: 312-738-0415 WWW.METRAFLEX.COM
--	---

CUSTOMER: _____

PROJECT: _____

ENGINEER: _____

SEISMIC BREAKAWAY HANGER	
OPERATION, INSTALLATION, AND MAINTENANCE INSTRUCTIONS	
DRAWN BY: DKISH	DATE: 11/12/2015
APPROVED: JC	DATE: 11/12/2015
SCALE: N/A	DRAWING NUMBER: SBH-OIM 1 of 2

METRAFLEX SEISMIC BREAKAWAY HANGER OPERATION, INSTALLATION, AND MAINTENANCE INSTRUCTIONS

INSTRUCTIONS CONTINUED:

FIGURE 1

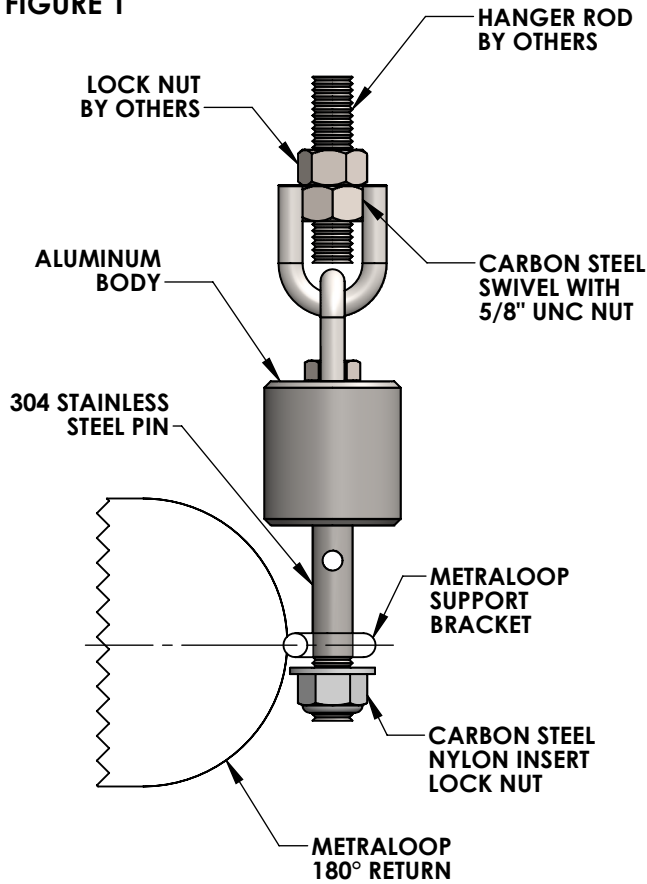


FIGURE 2

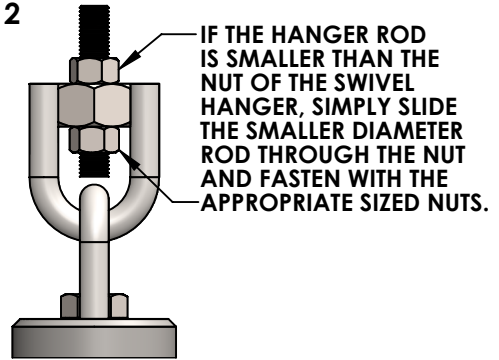


FIGURE 3

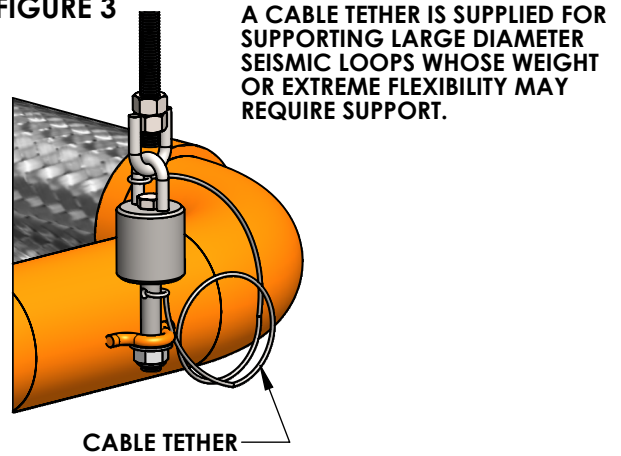


FIGURE 4

UNITS CAN ALSO BE USED WITH SADDLES TO PREVENT LONG FLEXIBLE LEGS ON LARGE LOOPS FROM SAGGING.

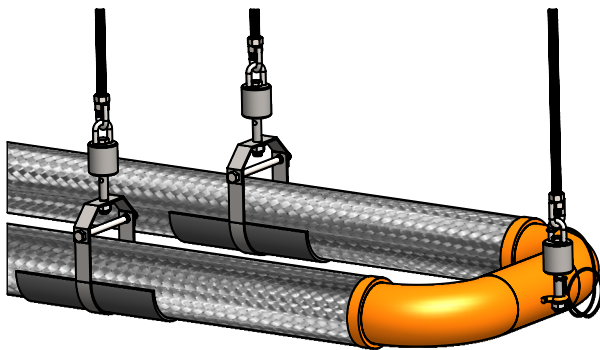
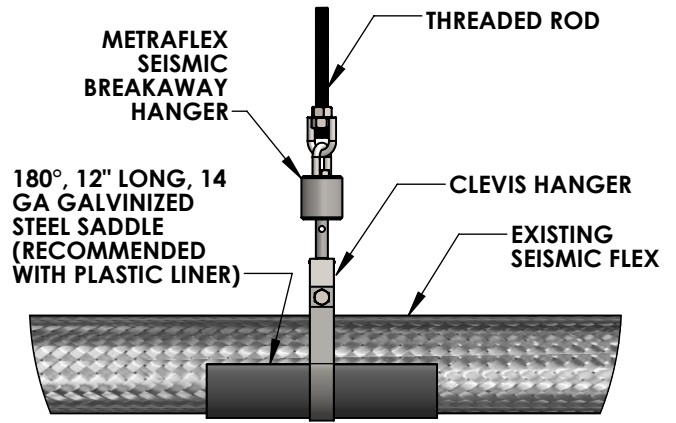


FIGURE 4A



CUSTOMER: _____

PROJECT: _____

ENGINEER: _____

Metraflex
for pipes in motion

2323 W. HUBBARD ST.
CHICAGO, IL 60612
TEL: 312-738-3800
FAX: 312-738-0415
WWW.METRAFLEX.COM

SEISMIC BREAKAWAY HANGER	
OPERATION, INSTALLATION, AND MAINTENANCE INSTRUCTIONS	
DRAWN BY: DKISH	DATE: 11/10/2015
APPROVED: JC	DATE: 11/11/2015
SCALE: N/A	DRAWING NUMBER: SBH-OIM 2 of 2